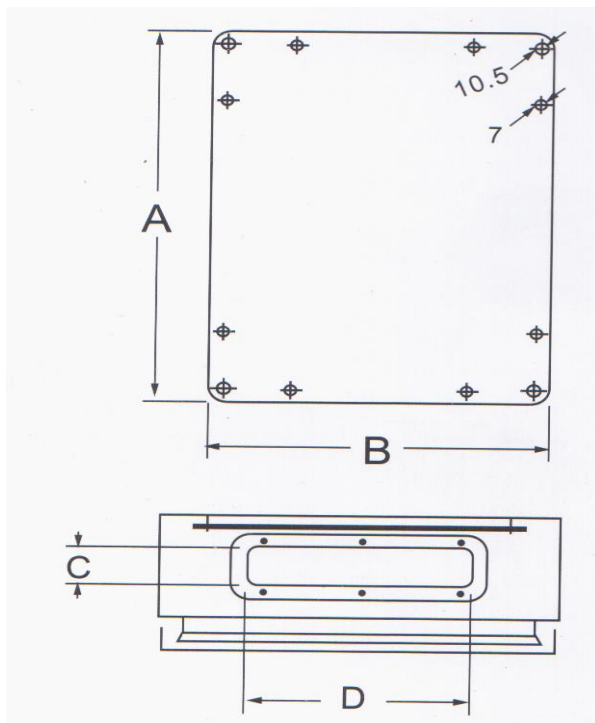


Wall Mounting Metal Cabinet

- 1.0-1.2mm sheet cold rolled steel both on body and door (150→200deep).
- 1.2-1.5mm sheet cold rolled steel both on body and door (250→300deep).
- 1.5-2.0mm sheet cold rolled steel both on body and door (400deep)
- 1.5mm sheet cold rolled steel on mounting plate (150→300deep).
- 2.0mm sheet cold rolled steel on mounting plate (400 deep)
- Textured surface finish by powder coated.
- Double fold by way of a flashing to prevent water entering.
- Leak tightness gasket on the door to ensure IP55 protection degree.
- With door anti-rotation system by assembling bolt easily.
- With one or two double bar locks depending on the size of cabinet.
- With bolts placed both in the body and door for earth connecting



WSJ			
Model	Dimensions mm	Plate Size mm	Cable Entries mm
WSJ15-2520	250 x 200 x 150	200 x 150	80 x 130
WSJ15-3025	300 x 250 x 150	250 x 200	80 x 160
WSJ15-4030	400 x 300 x 150	350 x 250	80 x 190
WJJ15-5040	500 x 400 x 150	450 x 350	80 x 230
WSJ15-6040	600 x 400 x 150	550 x 350	80 x 230
WSJ15-6050	600 x 500 x 150	550 x 450	80 x 330
WJJ20-4030	400 x 300 x 200	350 x 250	100 x 90
WSJ20-5040	500 x 400 x 200	450 x 350	100 x 230
WSJ20-6040	600 x 400 x 200	550 x 350	100 x 230
WSJ20-7050	700 x 500 x 200	650 x 450	100 x 330
WSJ20-8060	800 x 600 x 200	750 x 550	100 x 430
WSJ25-7050	700 x 500 x 250	650 x 450	100 x 330
WSJ25-8060	800 x 600 x 250	750 x 550	100 x 430
WSJ25-1006	1000 x 600 x 250	950 x 550	100 x 430
WSJ25-1008	1000 x 800 x 250	950 x 750	100 x 530
WSJ25-1208	1200 x 800 x 250	1150 x 750	100 x 530
WSJ30-1208	1200 x 800 x 300	1150 x 750	100 x 530
WSJ30-1480	1400 x 800 x 300	1350 x 750	120 x 530
WSJ40-1810	1800 x 1000 x 400	1750 x 950	120x530